



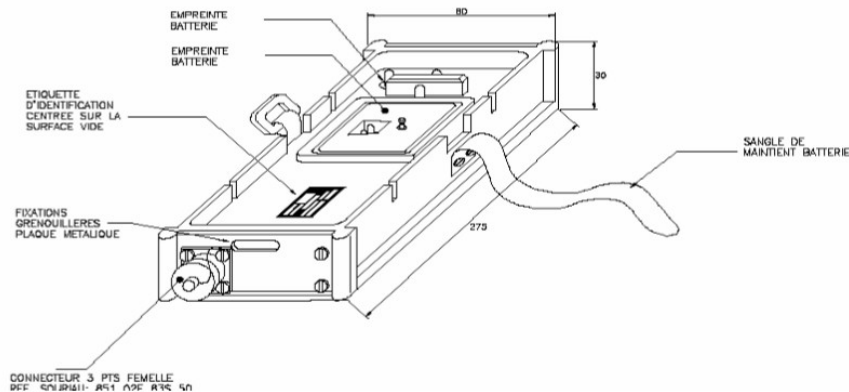
« Le Surena »
5 quai Marcel Dassault
92150 Suresnes
Tél. : 04.76.31.22.87
Fax : 04.76.31.23.01

DEPARTMENT : PRIMARY AND SECONDARY BATTERIES, CHARGERS, AC/DC AND DC/DC CONVERTERS

INTERFACE ALT152

Ref AGLO : 116237 NNO : 5975 14 553 4119

The interface allows the connexion between all the batteries wich are supplying the E/R PR4G and the charge block ref 116234 NNO : 6110 14 553 4059. Its allows the use of batteries for PR4G as a source of fuelling. For exemple the supply of a PC CF19 by a ALI143 battery.



MECHANICAL DATAS :

Case :

Black ABS.

Dimensions :

Height : 30 - 1mm

Length : 275 - 3mm.

Width : 80 - 1mm

Connection :

Input :

Connector 3pts female for connexion on charge block or batteries for PR4G

As a source of energy

Output :

Connector 3 spindle built-in case for batteries connexion or connector 3pts female for cable connexion and device fuelling

Weight :

< 0.430 Kg

Sealing :

IP68

Environnemental tests :

Under MIL STD 810F

Temperature range :

-40°C to +70°C

Storage :

-40°C to + 70°C